

DATA SHEET

## Vranger 30K



**Vranger 30K** is a robust laser rangefinder with a performance up to 30 km and an accuracy of  $\pm 1$  m over the entire range & offer uninterrupted 24/7 continuous measuring without any break.

### Product specification

Maximum range	30 000 m
Range performance on beamfilling target reflectivity: 60%, observer visibility 50 km	23 600 m
Range performance on 2.3 m × 2.3 m target size reflectivity: 30%, observer visibility 25 km	11 000 m
Range performance on 1 m × 1 m target size reflectivity: 10%, observer visibility 10 km	5 600 m
Measurement accuracy (1 $\sigma$ ) over entire range	$\pm 1$ m (worst case at extreme temperatures: $\pm 1.5$ m)
Repetition rates (customization possible)	
full range performance	1 Hz
approx. 90 % of full range performance	3 Hz
approx. 85 % of full range performance	5 Hz
approx. 80 % of full range performance	10 Hz
Multiple target detection	up to 5 targets
Wavelength	1 550 nm
Divergence	0.45 mrad
Optional pointer wavelength	830 nm

**ENVIRONMENTAL CHARACTERISTICS, MEETING MIL-STD-810**

Operating temperature range	-35° C to +70° C
Storage temperature range	-40° C to +85° C
Shock at 0.5 ms in z-direction (line of sight)	800 g
Shock at 0.5 ms in x- and y-direction	500 g
EMC	MIL-STD-461G

**PHYSICAL CHARACTERISTICS**

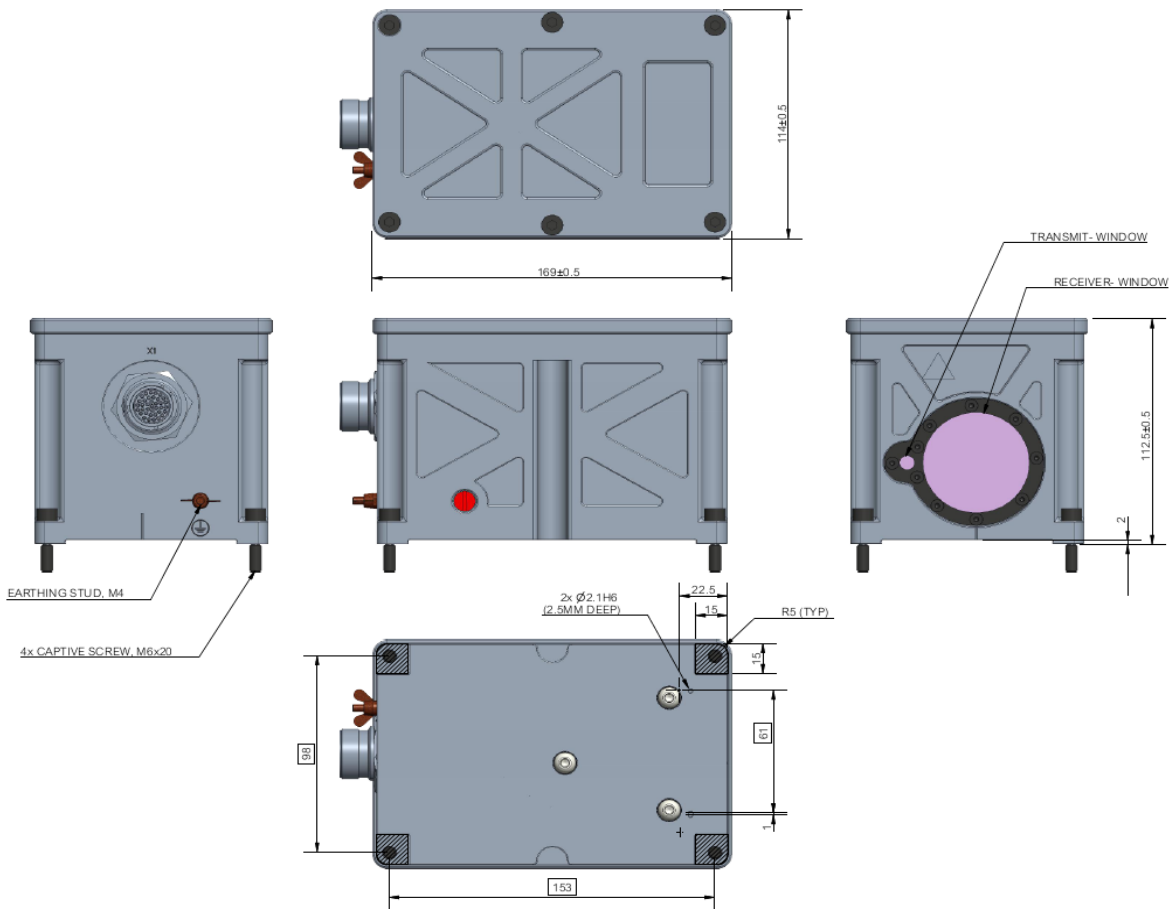
Weight	2.5 ± 0.5 Kgs
Dimensions (length/width/height)	As per Drawing
Painting	RAL 7040

**INTERFACES**

Communication interface	RS 232, RS 422
Power supply	8 V – 42 V

**APPLICATIONS**

Sensor suites on naval vessels, airborne or ground vehicles  
 Fire control systems and remote weapon stations



**PROPRIETARY NOTICE:** This document is Proprietary Data of the Vista Consoles Electronics Pvt Ltd. The information contained herein shall not be reproduced, used, or disclosed to others without the authorization of Vista Consoles Electronics Pvt Ltd